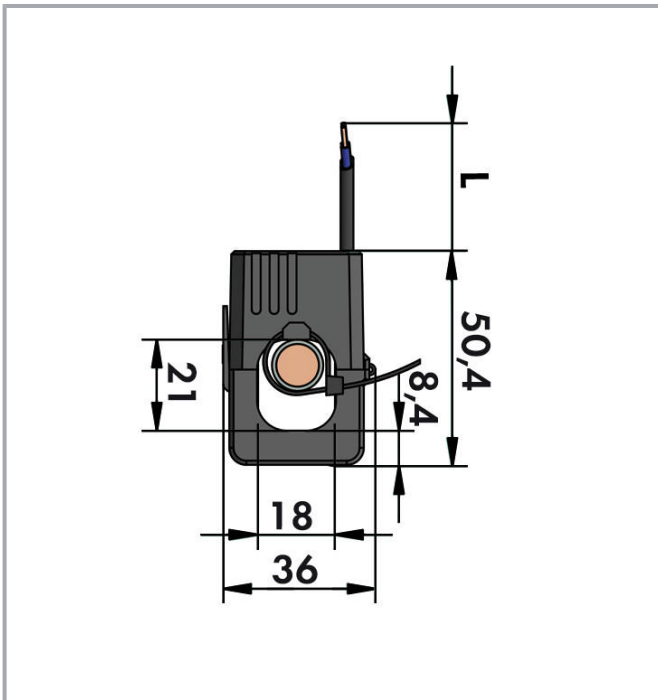
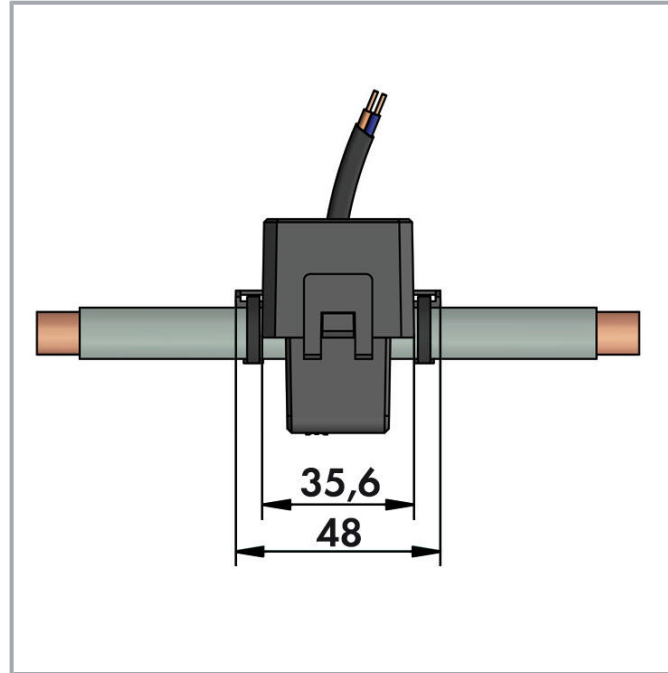


**Data sheet | Item number: 855-3001/075-003**

Split-core current transformer; Primary rated current: 75 A; Secondary rated current: 1 A; Rated power: 0.2 VA; Accuracy class: 3



[www.wago.com/855-3001\\_075-003](http://www.wago.com/855-3001_075-003)



Subject to changes. Please also observe the further product documentation!

WAGO Corporation  
Germantown, WI 53022  
Phone: 1-800-DIN-RAIL (346-7245) | Fax: (262) 255-6222  
Email: [info.us@wago.com](mailto:info.us@wago.com) | Web: [www.wago.us](http://www.wago.us)

Do you have any questions about our products?  
We are always happy to take your call at (262) 255-6222 or 1 800-DIN-RAIL.



## Item description

### Short description:

WAGO's compact split-core current transformers are ideal for retrofitting existing systems. They are perfect for applications in which the current path must not be disrupted.

The transformer's accuracy permits extremely precise current measurements. The split-core current transformers are capable of supplying the specified rated power at the end of the secondary cable. All transformers are supplied with color-coded cables. Two UV-resistant cable ties are also included for secure and easy mounting.

### Features:

- Current ratios from 75 A (primary side) and 1 A (secondary side)
- No measuring cable interruption
- Ideal for use in very confined spaces
- Rapid mounting
- For use around insulated cables up to 18 mm diameter
- Compact and hinged
- Color-coded connecting cable 3 m

## Data

### Technical data

#### Input – current transformer

Primary rated current	75 A
Rated continuous thermal current $I_{cth}$	100 %
Rated short-time thermal current $I_{th}$	$60 \times I_N / 1 \text{ s}$
Rated surge current $I_{dyn}$	$2.5 \times I_{th}$
Rated frequency	50 ... 60 Hz

#### Output – current transformer

Secondary rated current	1 A
Rated power $S_r$	0.2 VA

#### Measurement error

Accuracy class	3
----------------	---

Subject to changes. Please also observe the further product documentation!

WAGO Corporation  
 Germantown, WI 53022  
 Phone: 1-800-DIN-RAIL (346-7245) | Fax: (262) 255-6222  
 Email: [info.us@wago.com](mailto:info.us@wago.com) | Web: [www.wago.us](http://www.wago.us)

Do you have any questions about our products?  
 We are always happy to take your call at (262) 255-6222 or 1 800-DIN-RAIL.

## Safety and protection

Highest voltage for equipment $U_m$	AC 720 V <sub>rms</sub>
Protection type	IP20

## Test voltage

Test voltage	AC 3 kV; 50 Hz; 1 min
--------------	-----------------------

## Connection data

Feedthrough for measurement conductor	Ø 18 mm
Cable type	2 x 0.5 mm <sup>2</sup> ; fine-stranded
Color code	brown = S1; blue = S2

## Physical data

Cable length	3 m
--------------	-----

## Mechanical data

Mounting type	Split-core current transformer (suspended)
---------------	--

## Material data

Insulation class	E
Flammability class per UL94	V2
Housing material	PA 66
Weight	225 g

## Environmental requirements

Surrounding air temperature (operation)	-10 ... 55 °C
Surrounding air temperature (storage)	-20 ... 70 °C
Relative humidity	5 ... 85 % (without condensation)
Operating altitude (max.)	2000 m

## Standards and specifications

Standards/Specifications	EN 61869-1 EN 61869-2
--------------------------	--------------------------

Subject to changes. Please also observe the further product documentation!




## Commercial data

Packaging type	BOX
Country of origin	NL
GTIN	4055143950565
Customs tariff number	8504312000

## Optional accessories

### General accessories

	<b>Item no.: 857-551</b> Current signal conditioner; Current input signal; Current and voltage output signal; Digital output; Configuration via software; Supply voltage: 24 VDC; 6 mm module width	<a href="http://www.wago.com/857-551">www.wago.com/857-551</a>
--	--	--

## Downloads

### Documentation

#### Bid Text

X81 - Datei	xml	5.4 kB	Download
docx - Datei	docx	15.3 kB	Download

#### Instruction Leaflet

Kabelumbau-Stromwandler	V 1.1.0 Jan 15, 2020	pdf 832.5 kB	Download
-------------------------	-------------------------	-----------------	----------

## Engineering-Software

### Software for Interface-Products

WAGO Interface Configuration Software G2 FULL The full setup, in addition to the WAGO Interface Configuration Software G2, includes the installation for the Microsoft .NET Framework.	1.0.6.18 Apr 8, 2021	exe 113.9 MB	Download
WAGO Interface Configuration Software G2 SMALL The full setup only includes the WAGO Interface Configuration Software G2.	1.0.6.18 Apr 8, 2021	exe 30.0 MB	Download

## Environmental Product Compliance

### Compliance Search

Subject to changes. Please also observe the further product documentation!

WAGO Corporation  
Germantown, WI 53022  
Phone: 1-800-DIN-RAIL (346-7245) | Fax: (262) 255-6222  
Email: [info.us@wago.com](mailto:info.us@wago.com) | Web: [www.wago.us](http://www.wago.us)

Do you have any questions about our products?  
We are always happy to take your call at (262) 255-6222 or 1 800-DIN-RAIL.

Environmental Product Compliance 855-3001/075-003

Split-core current transformer; Primary rated current: 75 A; Secondary rated current: 1 A; Rated power: 0.2 VA; Accuracy class: 3

---

## Installation Notes

### Installation



Simple termination!



Quick and easy mounting!



Subject to changes. Please also observe the further product documentation!

---